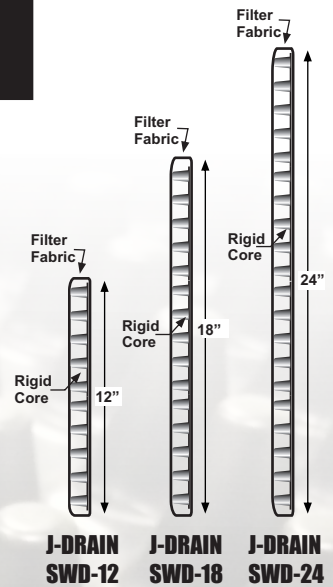
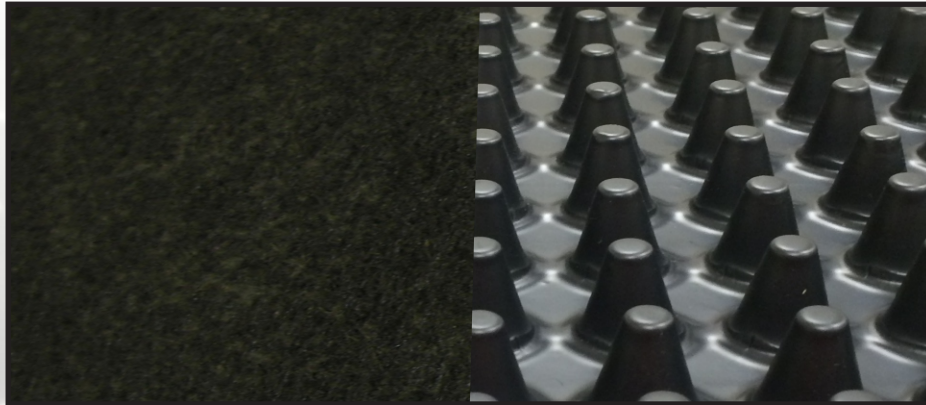
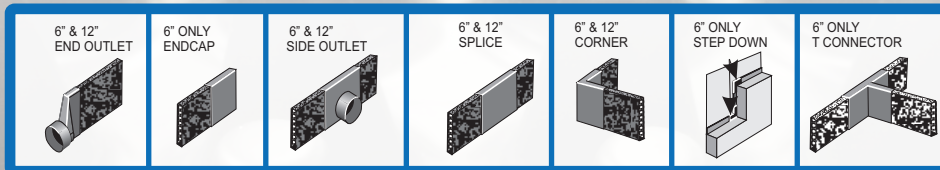




J·DRAIN



J-DRAIN SWD Fittings & Accessories



J·DRAIN SWD-6,12,18,24,36

Product Description

J-DRAIN SWD consists of a heavy duty polypropylene sheet cusped under heat and pressure to form a 3 dimensional, high flow, dimpled drainage core. The core is then wrapped and bonded with a non-woven filter fabric. The filter fabric retains soil or sand particles as well as freshly placed concrete or grout, allowing filtered water to pass into the drainage core. Soil backfill is retained while allowing water to pass into the drainage system providing hydrostatic relief. Collected water is then conveyed to a collection system. The drainage core is chemically resistant and designed for applications where chemical exposure is possible. The 1 inch (25 mm) profile design allows for higher venting and flow rates.

Core

Physical Properties

Fabric

Compressive Strength (ASTMD-1621)	9,500 psf	(455 kN/m ²)
Thickness (ASTM-1777)	1 In.	(2.54 cm.)
In-Plane Flow (ASTMD-4716)	30 gpm/ft width	(372 lpm/m)
(Q&518 psf & Hydraulic gradient = .1)		

Flow (ASTM D-4491)	140 gpm/ft ²	(5704 lpm/m ²)
CBR Puncture (ASTM D-6241)	250 lbs.	(1.11 kN)
AOS (ASTM D-4751)	70 U.S. Sieve	(.212 mm)
Grab Tensile (ASTM D-4632)	100 lbs.	(.45 kN)
Permittivity (ASTM D-4491)	2.0 sec ⁻¹	
U.V. Resistance (ASTM D-4355)	70% @500 hrs.	

Roll	Roll Weight:	38, 68, 83, 98, & 128 lbs.	(17, 30, 37, 44, & 57 kgs.)
	Roll Width:	6", 12", 18", 24", & 36"	(15, 30, 38, 45, & 60 cm.)
	Roll Length:	165 ft. / 300 ft.	(50.29 / 91.44 meters)

The information contained herein is believed by JDR Enterprises, Inc. to be accurate and is offered solely for the customer's consideration, investigation and verification. Determination of suitability for use is the responsibility of the user. JDR's Limitations, Limited Warranty, & Disclaimer along with Standard Terms & Conditions apply. See www.j-drain.com for more info. Limitations: J-DRain is resistant to chemicals in normal soil environments. However, some reagents may affect the performance of J-DRain. A JDR representative should be contacted for further information to determine the suitability of use of J-DRain in unusual soil environments. J-DRain should be limited to its exposure to ultra-violet sunlight. J-DRain should be backfilled or covered within seven days of installation. Disclaimer: All information, drawings and specifications are based on the latest published information at the time of printing. JDR reserves the right to make changes due to manufacturing improvements and engineering at any time. All physical properties are minimum average roll values (MARV). Standard variations of 10% in mechanical properties and 15% in hydraulic properties are normal.

info@j-drain.com

www.j-drain.com

JDR Enterprises, Inc.

Material Distributed by
Colonial
Construction Materials
www.colonial-materials.com