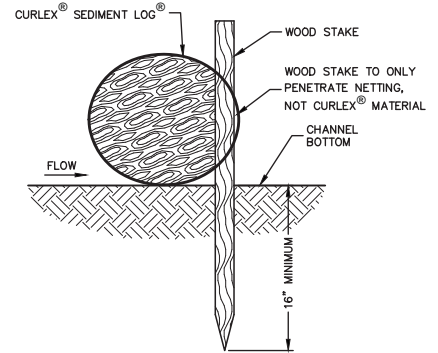
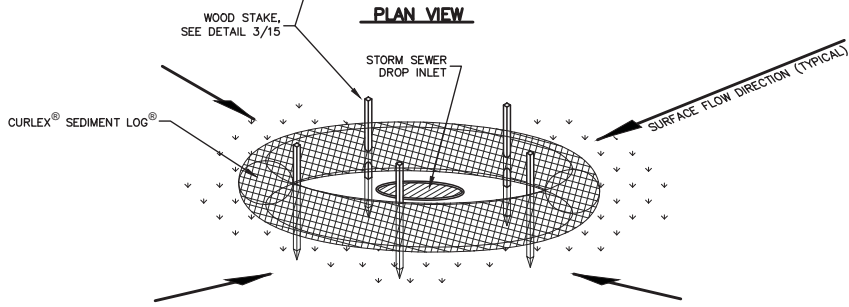
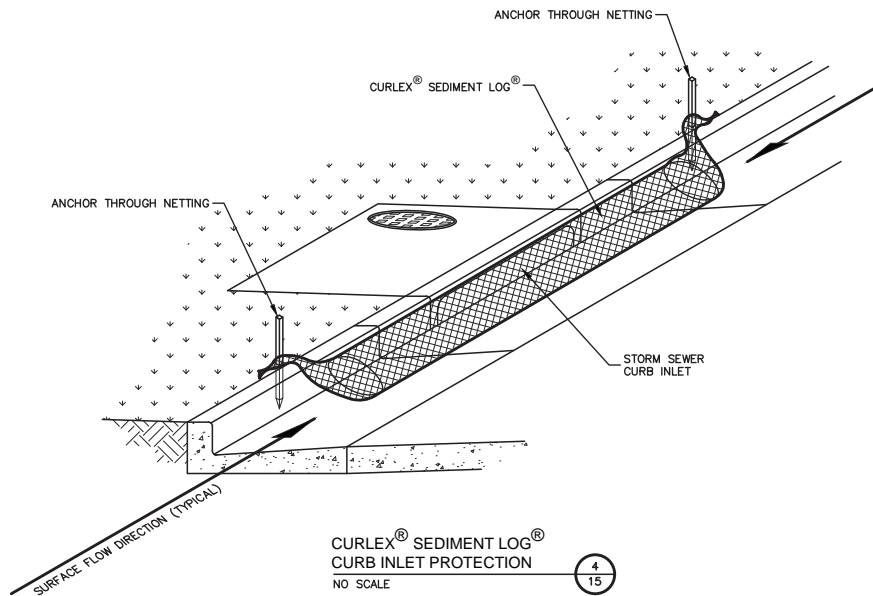


STAKE DETAIL
NO SCALE 2
15



STAKE DETAIL
NO SCALE 3
15

**CURLEX® SEDIMENT LOG®
DROP INLET PROTECTION**
NO SCALE 1
15



**CURLEX® SEDIMENT LOG®
CURB INLET PROTECTION**
NO SCALE 4
15



AMERICAN EXCELSIOR COMPANY
ARLINGTON, TEXAS

SHEET DESCRIPTION
CURLEX® SEDIMENT LOG®
INLET PROTECTION DETAILS

DATE 3/27/17
SCALE NONE

DRAWN BY
PROJECT NO.
SHEET NO. 15