

# DOT Approved Round Frame & Filter R300-B-DOT

## Black High Efficiency Material Specifications

Property	Test Method	(MARV <sup>2</sup> ) English	(MARV <sup>2</sup> ) Metric
Grab Tensile Strength	ASTM D 4632	120 lbs.	0.553kN
Trapezoid Tear Strength	ASTM D 4632	50%	50%
Grab Elongation	ASTM D 4533	50 lbs.	0.222kN
CBR Puncture Resistance	ASTM D 6241	340 lbs.	1.512kN
Permittivity 4	ASTM D 4491	1.7 sec-1	1.7 sec-1
Water Flow 4	ASTM D 4491	120 gpm/ft	4885 l/min/m <sup>2</sup>
Apparent Opening Size (AOS)3&4	ASTM D 4751	70 Std. U.S. Sieve	0.212 mm
UV Resistance	ASTM D 4355	70%/500 hrs.	70%/500 hrs.

Notes:

1. The property values listed above are subject to change without notes.
2. Minimu Average Roll Value (MARV) is calculated as the average minus two stanard deviations. Statistically, it yields approximately 97.5% degree of confidence that any samples taken from quality assurance will meet or exceed the values described above.
3. Maximum Average Roll Value (MaxARV)
4. At time of manufacturing, handling may change these properties.

**Distributed by Colonial Construction Materials Inc.**

1071 Merchants Lane Oilville, VA 23129

Ph. 800-436-6287

www.colonial-materials.com

## Green HF Standard Mesh Fabric Specifications

Construction Specifications and Physical Properties		
Characteristic	Description	
Weight	7.5 oz/sq yd +/- 10%	
Width	As specified (up to 85" +/- 1/4"	
Scrim Count	9 x 9	
Color	Various	
Property	Test Method	Results
Tear (Trap)	FTM 191-5136 / ASTM D751	64.3 lbs / 49.4 lbs
Tensile (Grab)	FTM 191-5100 / ASTM D751	184.0 lbs / 220.0 lbs
Abrasion - taber wheel H-18 (abrade to failure)	FTM 191-5306 / ASTM D3884	260 cycles
Flame resistance	NFPA 701 M2	Pass
Weatherability (no cracking, crazing, blistering, fading or delamination)	ASTM G-151	1000 hrs UV-B

### Notes:

The technical data furnished represents typical test results as achieved by the test methods indicated. This information is provided as general information. Final determination as to the suitability of the indicated material, for the application, is the responsibility of the customer. There are no warranties either expressed or implied.

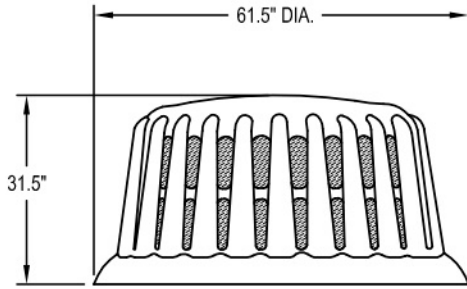
### Distributed by Colonial Construction Materials Inc.

1071 Merchants Lane Oilville, VA 23129

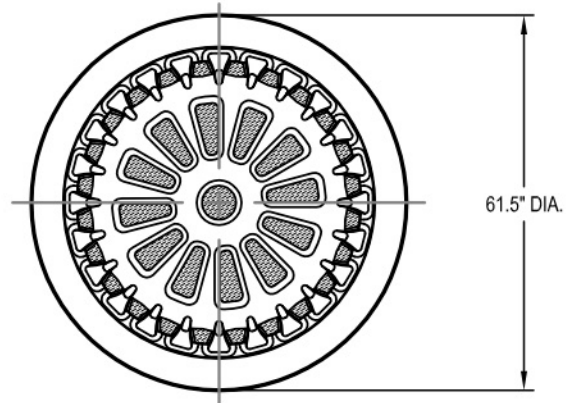
Ph. 800-436-6287

www.colonial-materials.com

# Inlet Protection



**ELEVATION VIEW**



**PLAN VIEW**

**FILTER OPTIONS**

FILTER IS AVAILABLE IN TWO OPTIONS:

- 1) ALL HIGH-FLOW FILTER
- 2) HIGH-FLOW MATERIAL ON TOP HALF, HIGH-EFFICIENCY MATERIAL ON BOTTOM HALF (THIS FILTER COVER IS RECOMMENDED FOR ALL ROADWAY PROJECTS.) (DOT FILTER)

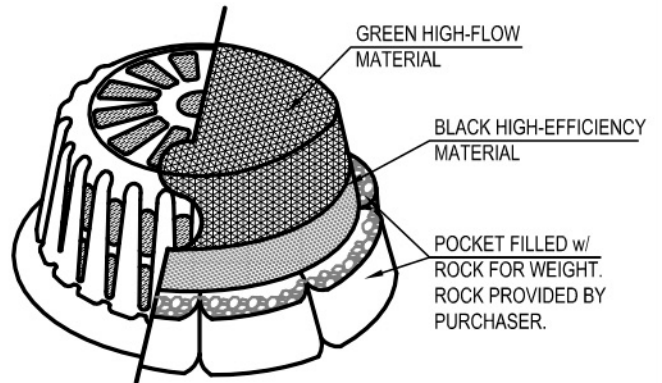
IT IS THE PURCHASERS RESPONSIBILITY TO PURCHASE APPROPRIATE FILTER. PURCHASER SHALL PROVIDE ROCK FOR FILTER POCKETS.

**FILTER INSTALLATION**

FILTER SLIDES DIRECTLY OVER FILTER FRAME. TO KEEP FILTER FRAME IN PLACE OVER STORM STRUCTURE, ROCK POCKETS ARE SEWN DIRECTLY INTO FILTER. EVERY FILTER COMES IN ONE PIECE FOR EASY INSTALLATION.

**MAINTENANCE**

ALL TEMPORARY EROSION, SEDIMENTATION, & POLLUTION CONTROL PRACTICES SHOULD BE INSPECTED DAILY. CONTRACTOR SHALL REMOVE SEDIMENT AND DISPOSE OF IN A PROPER MANNER. INSPECT FRAME AND FILTER DAILY FOR CUTS, ABRASIONS, AND PROPER INSTALLATION. REPLACE OR REPOSITION AS NECESSARY.



**ISOMETRIC VIEW**

SHOWN WITH DOT FILTER

REPLACEMENT FILTERS: MODEL # R-140HF OR R-340 DOT - VDOT Approved

## **ROUND FRAME & FILTER ASSEMBLY**

**Model # R-300B**  
**60" DIAMETER**

FRAME MATERIAL: BLACK 0.25" HMWPE
FILTER FABRIC MATERIAL: REFER TO SPEC
SCALE: NOT TO SCALE
LAST UPDATED: OCTOBER 2018

**Distributed by Colonial Construction Materials Inc.**

1071 Merchants Lane Oilville, VA 23129

Ph. 800-436-6287

www.colonial-materials.com