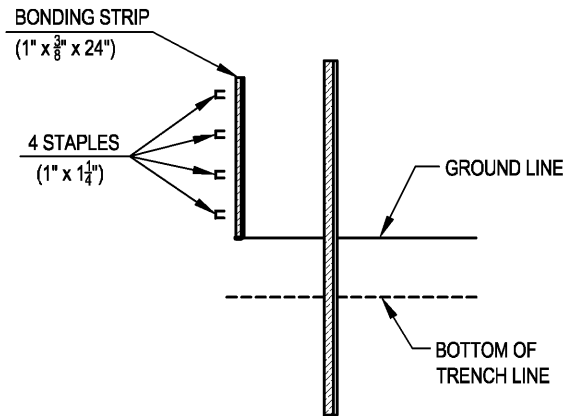


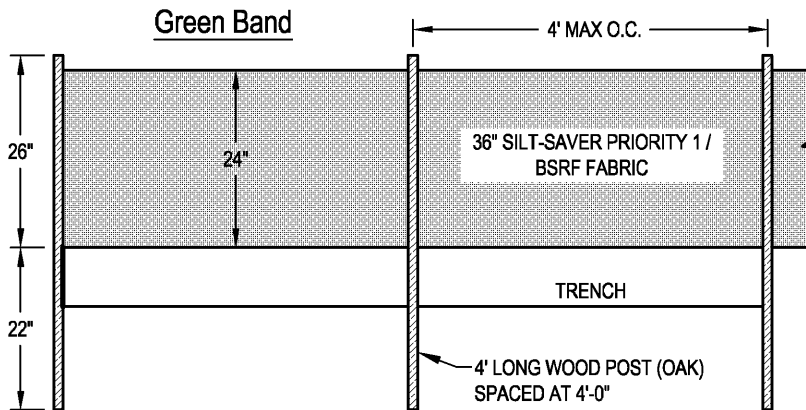
SIDE VIEW



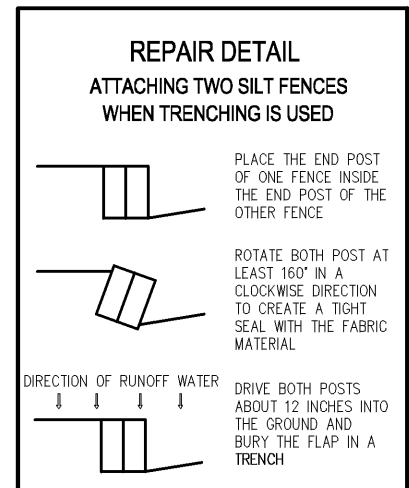
POST (OAK)

(1 3/4" x 1 1/4" x 48")

(OR EQUAL DENSITY)



FRONT ELEVATION



PLAN VIEW

BELTED SILT RETENTION FENCE - (BSRF)
PRIORITY 1 - GREEN BAND

FRAME MATERIAL: OAK OR SIMILAR
FILTER FABRIC MATERIAL: REFER TO SPEC
SCALE: NOT TO SCALE
LAST UPDATED: FEBRUARY 2015