

# Dandy Pop<sup>®</sup>

CALL FOR PRICING  
1-800-436-6287



## Drop Inlet Protection that won't collapse and fail.

**A solution to failing silt fence boxes and stone washouts**

### **VDOT APPROVED for Drop Inlet Protection**

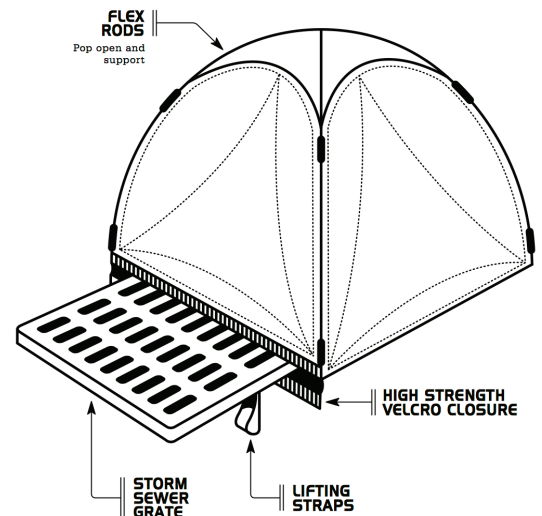
The Dandy Pop<sup>®</sup> is the most reliable and simple to use drop inlet device. Simply pop open the unit, slip the grate inside and return the structure with the sealed and secured grate back to the inlet. The Dandy Pop<sup>®</sup> fully encloses the grate which prevents silt, sediment and debris from washing into the inlet. The Dandy Pop<sup>®</sup> is also portable and completely reusable. The orange monofilament structure stands about 24" tall once in place, which makes it highly visible for machine operators, inspectors and engineers on site.

Available in sizes 32" x 32", 36" x 36" and 48" x 48" to fit standard grates.



### Installation Guidelines

- Pop open the Dandy Pop<sup>®</sup>
- Remove grate from inlet
- Slide grate into the Dandy Pop<sup>®</sup>
- Pull slack and seal the velcro to enclose the grate
- Using the lifting straps, insert the Dandy Pop<sup>®</sup> onto the inlet, making sure it fully covers the inlet



**Colonial**  
Construction Materials  
Your Partner in Providing  
On-site Solutions

**Richmond**  
P. 804-264-0128

**Tidewater**  
P. 757-486-1515

info@colonial-materials.com  
www.colonial-materials.com